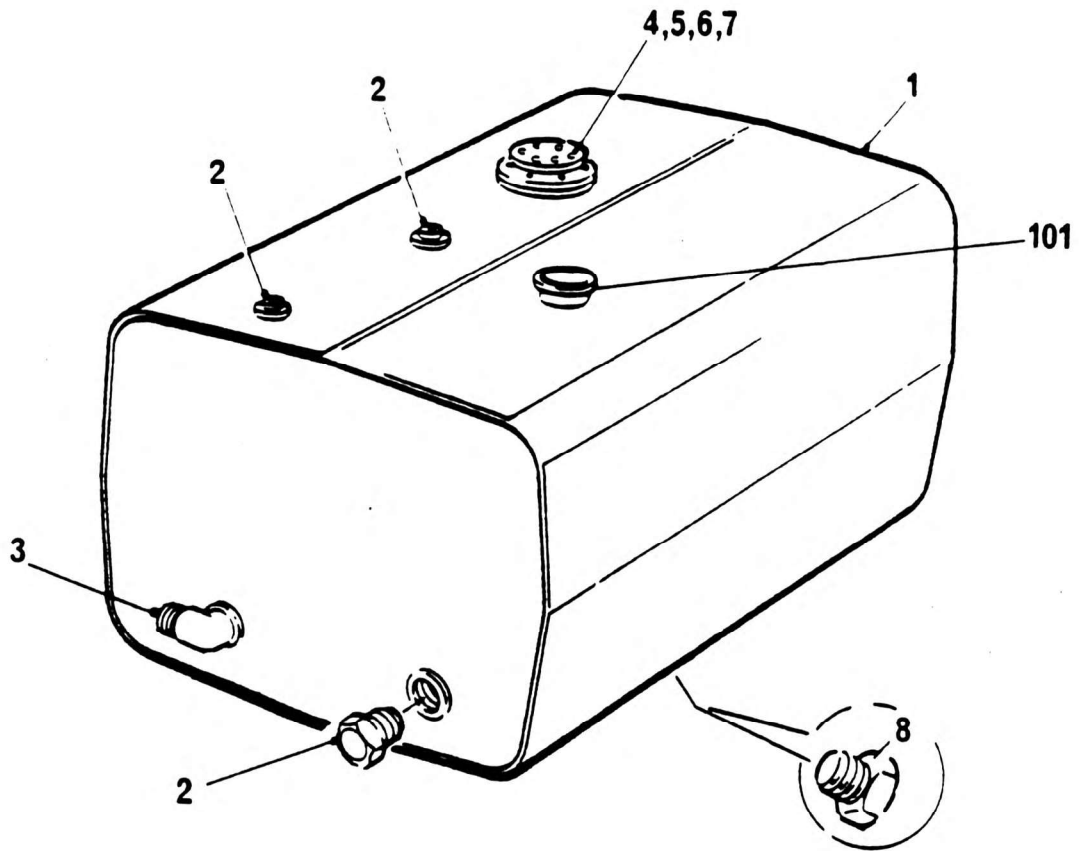


FUEL TANK SUB ASSY RH



NO.	PART NO.	QTY.	DESCRIPTION	NO.	PART NO.	QTY.	DESCRIPTION
1	7-880-990063	1	Fuel Tank Incl. Item	101			
2	7-444-060031	2	½" NPTF Int Plug				
3	7-445-121220	1	Elbow ½" Jic x ½" NPTF				
4	6-705-996176	1	Plate Blanking				
5	7-794-990164	1	Gasket				
6	7045003	5	Screw Hex Head M5 x 10 Long				
7	7067217	5	Washer Spring M5				
8	7-444-010031	1	Hex Plug ½"				
101	7-258-990087	1	Lockable Filler Cap				